



Labor-saving Auto Back Focus

Clear Image with One Button

A Milesight Technology Moment

Introduction

Auto Back Focus has become a more and more common feature in box cameras. And this trend will continue or strengthen with ABF becoming less of a nice feature to have, and more of a standard feature expected of all new box cameras.

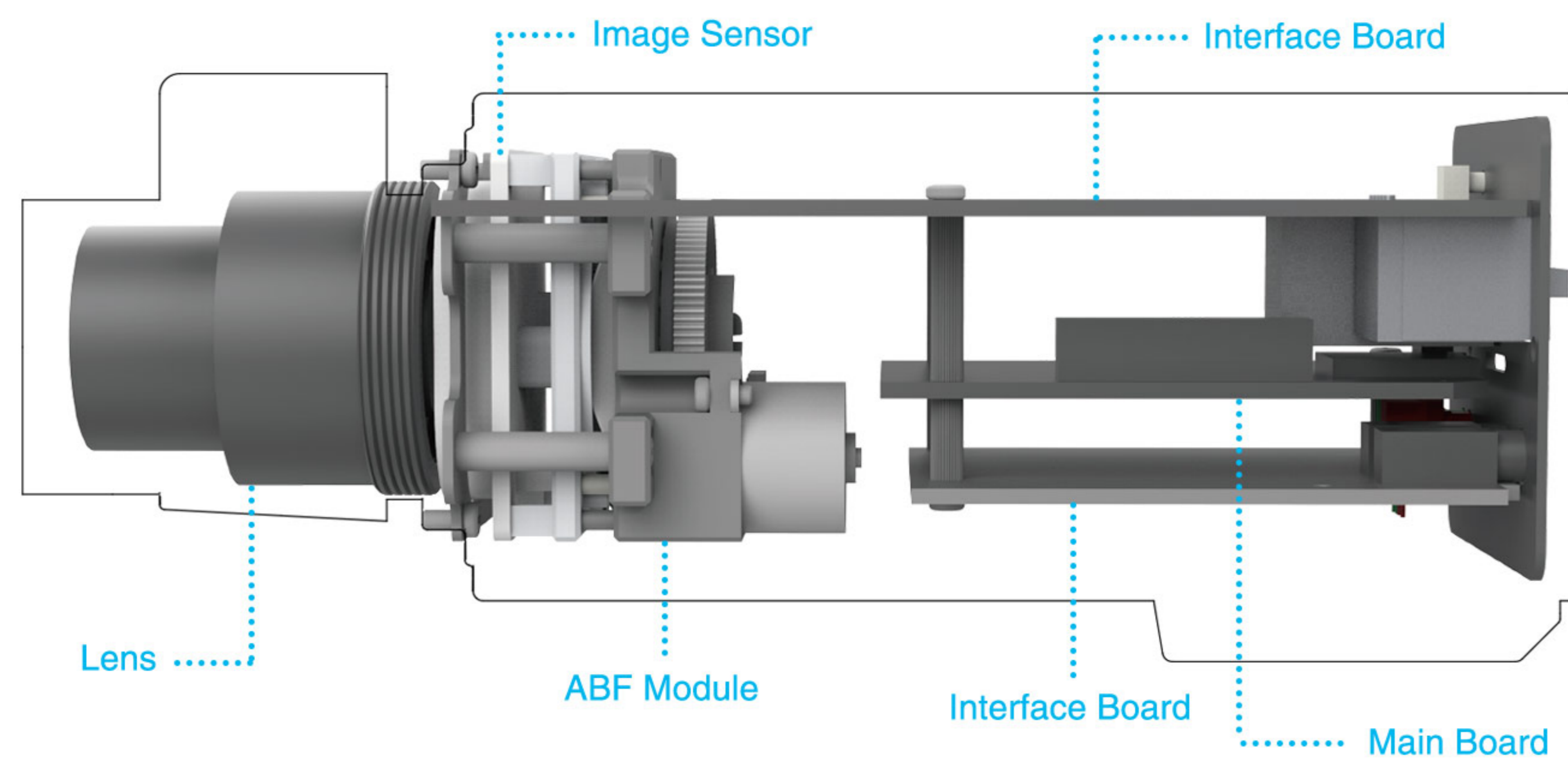


Figure 1

What is Auto Back Focus?

The Auto Back Focus functionality in security cameras is accomplished by adjusting the image sensor's distance to the lens, which enables differing back focal lengths for the lens. ABF technology allows Milesight box cameras to adjust the position of the image sensor to achieve optimal focus. This feature can also be accessed via the Web client. When the focus of the lens does not reach the requirements, ABF can help to complete the last step of focusing.

Why need Auto Back Focus?

Different from motorized lens cameras, the box camera offers various zoom fixed lens. The fixed lens need to focus manually and may need a difficult slight adjustment which can normally be done by just slightly turning the lens one way or the other. While with Auto Back Focus, you just need to click one button to finish the focusing, which greatly save the installation time and get better image focus.



Figure 2

How to use Auto Back Focus?

Step 1: Focus manually. After the box camera being installed, it firstly needs to adjust a varifocal lens manually to get a relatively clear image. As shown on the right (Figure 3), it is a fairly typical varifocal lens in the box camera. The top will adjust the focus. It is designated by the letter N (for near) and the infinity symbol (for far). You will need to loosen the set screw in order to adjust it. The focal length is designated by W and T (wide angle and telephoto), which will be adjusted by firstly loosen the screw. Once you have adjusted the field of view you want, you can then make the adjustment for the focus to bring everything into a sharp clear image. Lastly, you need to tighten down the set screws so that your settings remain.

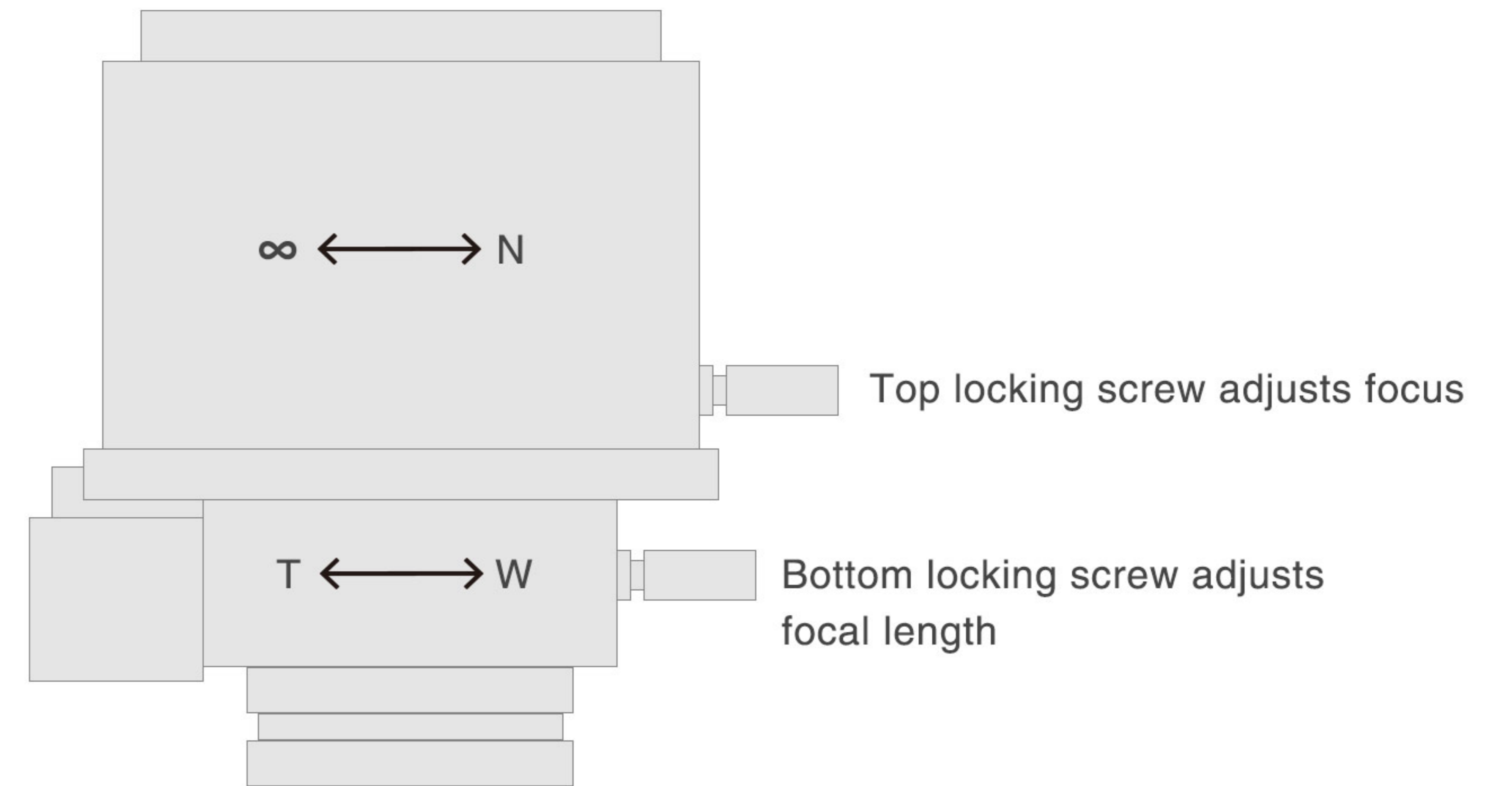


Figure 3

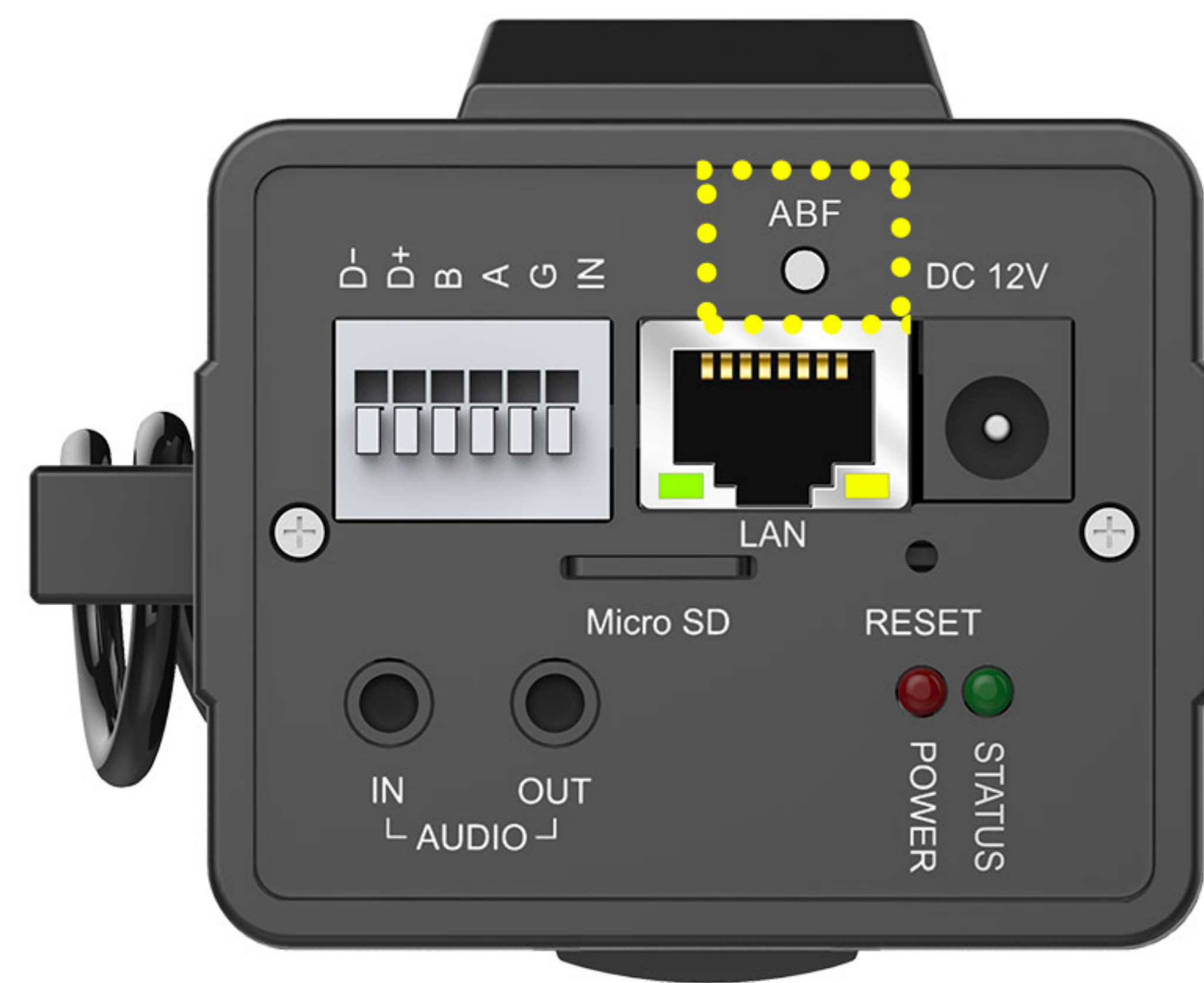


Figure 4

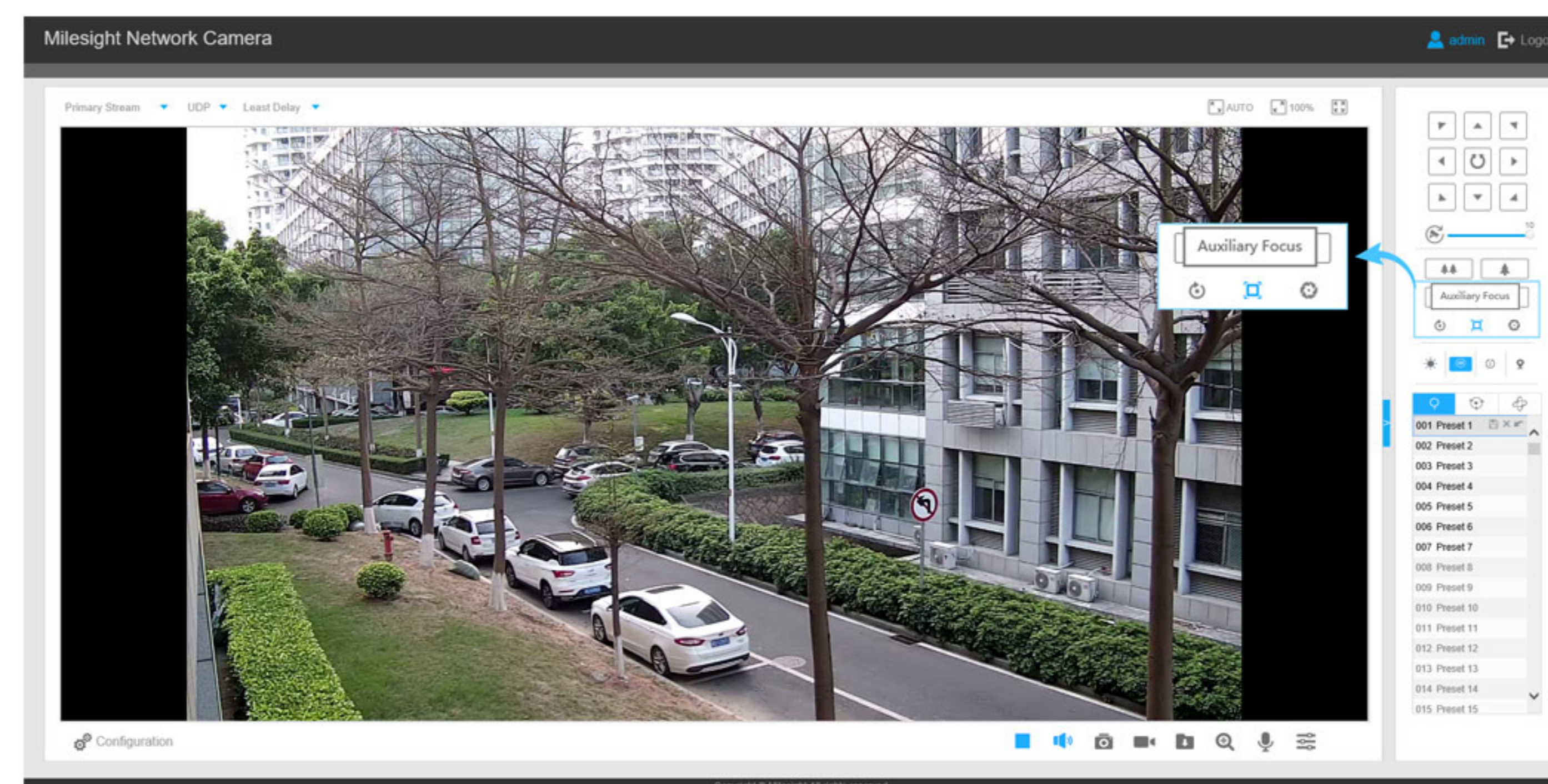


Figure 5

Step 2: Push the ABF button. As you set a relatively clear image, it is easy to get the most clear image by just pushing the ABF button (Figure 4). An electrical motor inside the box camera will slightly move the sensor to the best focus location. Also, there is “Auxiliary Focus” on the web interface (Figure 5), which will help to focus just as the ABF Button do.

Advantage of Auto Back Focus

- Labor and time saving.
- Focusing more accurate and faster.



Figure 6

Conclusion

Keeping customer-oriented, Milesight never stops to bring our customer the more functional and powerful products. By adding the useful functionality, Auto Back Focus, to Milesight Pro Box Network Camera, it can focus automatically by clicking one button to save time and labor.





About Milesight

Milesight, established in 2011, is a high-tech company specializing in the design and manufacture of best-in-class IP surveillance solutions with superior image quality, exceptional flexibility and reliability for the global market. Milesight markets its products through a worldwide network of distributors and resellers, offering excellent pre/after-sales and technical support services that exceed customers' expectation.

For more information about Milesight, please visit our website www.milesight.com.

Milesight Technology Co.,Ltd | www.milesight.com

Contact Us: sales@milesight.com support@milesight.com



Add: 7509 N.W. 36th Street, Miami, Florida
33166, USA
Tel: +1-800-561-0485

Add: 9F/901, Star Valley B/D Digital-ro 9gil 99,
Geumcheon-gu, Seoul, Korea
Tel: +82-2-839-3335

Add: No.23 Wanghai Road,2nd Software Park,
Xiamen, China
Tel: +86-592-5922772