

AI LPR 20X/23X Mini PTZ Bullet Plus Network Camera



IP66

AF Lens



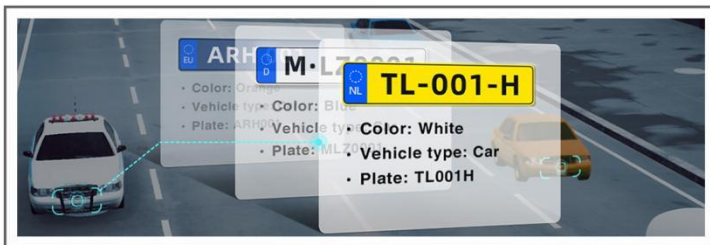
DATASHEET

KEY FEATURES

- ▶ Smart IR II (Combining the High Beam and Low Beam to adjust IR intensity for different lighting conditions with the IR distance up to 180m.)
- ▶ PTZ Auto Tracking (Perform Pan/Tilt/Zoom to track the moving objects in a proper size automatically.)
- ▶ 300 Preset Positions (The user can easily control the lens position via mouse to monitor interested area and set up to 300 preset positions for patrolling.)
- ▶ New-generation PTZ Motor (The new generation motor is designed with sophisticate planetary gear drive to ensure smooth turning and robust performance.)
- ▶ Versatile Interfaces (A whole array of ports including PoE, DC, Audio I/O and Alarm I/O offers more choices for easy management and various needs.)
- ▶ Keyboard Control (Shortcut keys for PTZ control via Milesight Keyboard.)
- ▶ Smart Stream (Bandwidth, storage and bit rate save with Smart Stream ON, e.g. H.265+ save 70%~80% bandwidth of H.264.)

AI-powered LPR Algorithm

Based on AI algorithm, the LPR function provides value-added data via a pre-trained deep learning model, which can not only recognize vehicle plates in real time with high accuracy, but also identify more vehicle features, like vehicle type, color, etc., generating powerful security and traffic insights.



23X Optical Zoom

The 23X optical zoom can zoom up to distant subjects while still maintaining the clarity, delivering high quality video over the entire zoom range.



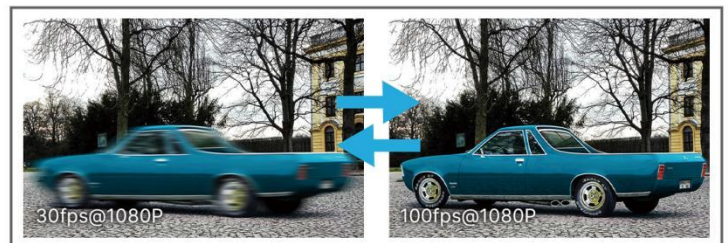
3 in 1 Super WDR Pro & 0.001Lux Ultra Low-light

140dB Super WDR Pro combines 3 frames with multiple exposures to get the optimal images especially moving subjects in high contrast lighting situations. Meanwhile, Milesight cameras can capture full-color images in extremely low-light conditions reaching 0.001Lux without extra light supplement.



100fps

With the industry leading frame rate reaching 100fps, the cameras can easily catch images with no latency despite of the high-speed movement, which is the best choice for the demanding requirements especially for intelligent cameras.



AI LPR 20X/23X Mini PTZ Bullet Plus Network Camera



	Model	MS-C2867-X20R(T)LPC (2MP)	MS-C2967-X23R(T)LPC (2MP)
Camera	Image Sensor	1/2" Progressive Scan CMOS	1/2.8" Progressive Scan CMOS
	Min. Illumination	Color: 0.001Lux@F1.2 Color: 0.002Lux@F1.7 B/W: 0Lux with IR on	Color: 0.002Lux@F1.2 Color: 0.005Lux@F1.5 B/W: 0Lux with IR on
	WDR	140dB Super WDR (Super WDR Pro is optional for T Series)	
	Shutter Time	1/100000s~1s	
	IR Distance	Up to 180m	
	Digital Zoom	16X	
	Day/Night Mode	Day/Night/Auto/Customize/Schedule	
	S/N	>55dB	
Lens	Focal Length	6.4~128mm, 20X Optical Zoom	5~117mm, 23X Optical Zoom
	Zoom Speed	Approx 5s (Wide-Tele)	Approx 6s (Wide-Tele)
	Field of View	H60°~H3°/D67°~D4°/V37°~V1°	H60°~H3°/D69°~D4°/V35°~V2°
	Focus Control	Auto/Semi-Auto/Manual	
	Minimum Working Distance	1000/1500mm (Wide/Tele)	
	Aperture	F1.7~F2.1	F1.5~F3.5
	Iris Control	Auto	
LPR	Max. Vehicle Speed	200km/h	
	Recognition Accuracy	>95%	
	Coverage	Support simultaneous detection of 4 regions	
	White/Black List	Up to 1000 records inside the camera	
	Smart Traffic Detection	License Plate Recognition, Plate Type Classification, Plate Color Recognition, Vehicle Type Classification, Vehicle Color Recognition, Vehicle Direction Detection	
PTZ	Pan Range/Pan Speed	360°endless / Pan Manual Speed: 0.1°~60°/s, Pan Preset Speed: 60°/s	
	Tilt Range/Tilt Speed	-45°~30° / Tilt Manual Speed: 0.1°~30°/s, Tilt Preset Speed: 30°/s	
	Proportional Zoom	Support	
	Preset Quantity	300	
	Patrol	8 Patrols, up to 48 presets each patrol	
	Pattern	4 Patterns	
	Auto Tracking	Support	
	Power Off Memory	Support	
Other Function	Auto Scan, Auto Home, Preset Freezing, 3D Positioning, PTZ Limits, Initial Position		
Video	Max. Image Resolution	1920x1080	
	Primary Stream	60Hz: 100fps@(1920x1080)(Optional for T Series) , 60fps@(1920x1080, 1280x960, 1280x720, 704x576) 50Hz: 100fps@(1920x1080)(Optional for T Series) , 50fps@(1920x1080, 1280x960, 1280x720, 704x576)	
	Secondary Stream	60Hz: 60fps@(704x576, 640x480, 640x360, 352x288, 320x240, 320x192, 320x180) 50Hz: 50fps@(704x576, 640x480, 640x360, 352x288, 320x240, 320x192, 320x180)	
	Tertiary Stream	60Hz: 30fps@(1920x1080, 1280x720, 704x576, 640x480, 640x360, 320x240, 320x192, 320x180) 50Hz: 25fps@(1920x1080, 1280x720, 704x576, 640x480, 640x360, 320x240, 320x192, 320x180)	
	Video Compression	H.265*/H.265(HEVC)/H.264*/H.264/MJPEG	
	Video Bit Rate	16Kbps~16Mbps(CBR/VBR Adjustable)	
	Privacy Masking	Up to 24 areas	

AI LPR 20X/23X Mini PTZ Bullet Plus Network Camera

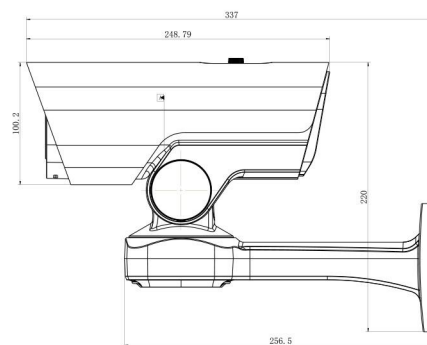
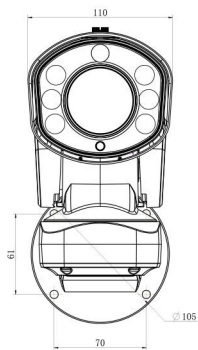
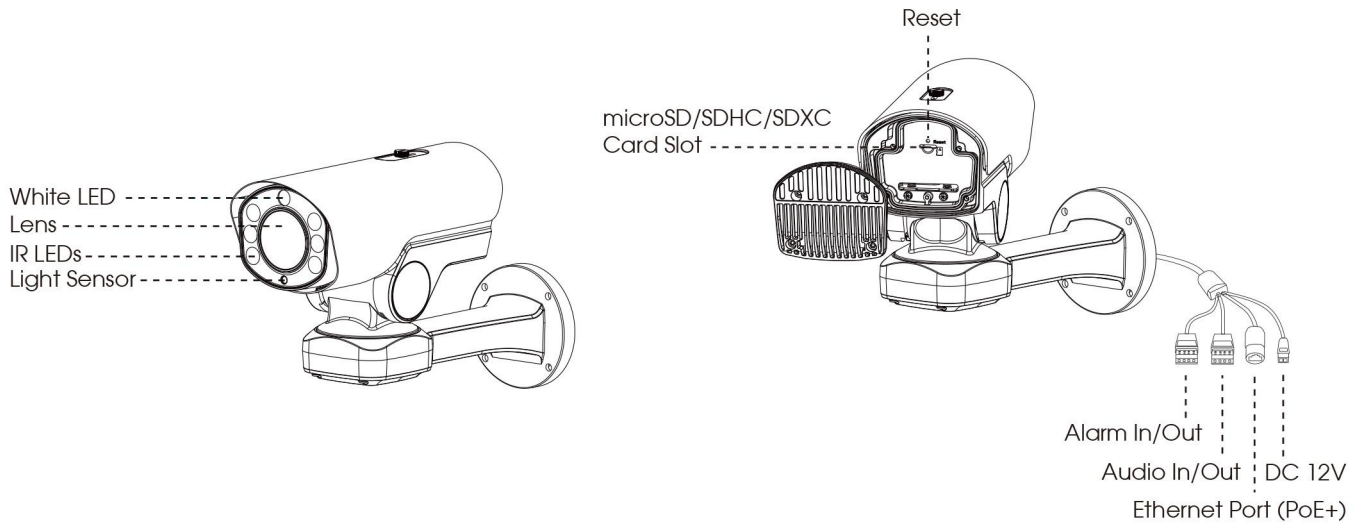


	ROI	Up to 8 areas
	Image Setting	Brightness/Contrast/Saturation/Sharpness
Interface	Ethernet	1*RJ45 10M/100M Ethernet Port
	Audio I/O	1/1
	Alarm I/O	1/1
Network	Network Storage	NAS(Support NFS, SMB/CIFS), ANR
	Protocol	IPv4/IPv6, ARP, TCP, UDP, RTCP, RTP, RTSP, RTMP, HTTP, HTTPS, DNS, DDNS, DHCP, FTP, NTP, SMTP, SNMP, UPnP, Bonjour, SIP, PPPoE, VLAN, 802.1x, QoS, IGMP, ICMP, SSL
Audio	Audio Compression	G.711/AAC/G.722/G.726
	Audio Sampling Rate	8/16/32/44.1/48KHz
	Audio Bit Rate	16~256kbps
	Two-way Audio	Support
System	Storage	Support microSD/SDHC/SDXC Card Local Storage, up to 256G
	Advanced Function	BLC, HLC, 2D DNR, 3D DNR, Defog, AWB, EIS, IP Address Filtering, AGC, Anti-flicker, Corridor Mode, Deblur, Watermark
	SIP/VoIP Support	Yes, Voice & Video-over-IP
	Event Trigger	Black/White List, Motion Detection, Network Disconnection, External Input, Audio Alarm, etc.
	Event Action	FTP Upload, SMTP Upload, SD Card Record, External Output, SIP Phone, White LED, PTZ Motion, HTTP Notification, etc.
	System Compatibility	ONVIF Profile G & Q & S & T, API
General	Working Temperature	-40°C~60°C
	Working Humidity	0~90%(Non-condensing)
	Power Supply	PoE (802.3at) / DC 12V/2A±10%
	Power Consumption	12W MAX / 23W MAX (With IR on)
	Housing	Up to IP66-rated for Weather-resistant Performance
	Weight	2.9Kg
	Dimensions	110mmX337mmX220mm
	Warranty	2 Years / 3 Years (Optional)

AI LPR 20X/23X Mini PTZ Bullet Plus Network Camera



Structure Diagrams



Units: mm

Accessories Support

A01 Pole Mount

Weight: 720g
Dimensions: 170*51.5*152.6mm



A03 External Corner Bracket

Weight: 900g
Dimensions: 170*152.5*76.3mm



A62 Junction Box

Weight: 510g
Dimensions: 134*126*40mm



Milesight Technology Co.,Ltd. | www.milesight.com

Contact Us : sales@milesight.com | support@milesight.com

Add: 220 NE 51st Street, Oakland Park, Florida 33334, USA
Tel: +1-800-561-0485

Add: 925, Anyang SK V1 Center, LS-ro 116beon-gil, Dongan-gu, Anyang-si, Korea
Tel: +82-31-990-7732

Add: No.23 Wanghai Road, 2nd Software Park, Xiamen, China
Tel: +86-592-5922772

