

AI 4X/12X Pro Bullet Plus Network Camera



IP67 + IK10

AF Lens



DATASHEET

KEY FEATURES

- ▶ **Smart IR II** (Combining the High Beam and Low Beam to adjust IR intensity to fit different lighting conditions.)
- ▶ **HLC** (High Light Compensation. Improving image visibility under strong light sources.)
- ▶ **Defog** (Defog technology. Restoring clear images in hazy and foggy weather.)
- ▶ **Integrated Cable Management** (Combining the power interface, PoE port, and other interfaces in the base neatly.)
- ▶ **256G** (Supporting ultra-large external microSD/SDHC/SDXC card storage up to 256G.)
- ▶ **Smart Stream** (Bandwidth, storage and bit rate are saved with Smart Stream On, eg, H.265+ saves 70%~80% bandwidth that of H.264.)

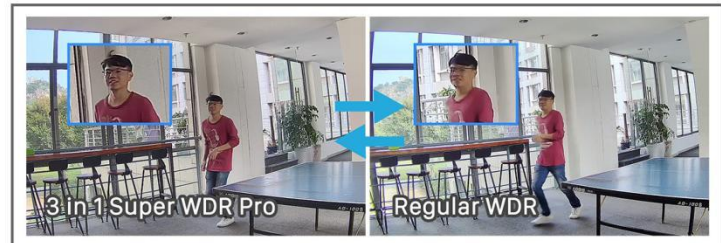
AI Video Analytics

- 8 intelligent VCA modes powered by AI engine, which can intelligently filter objects to focus on human and vehicle detection.
- People Counting technology provides high accuracy and real-time data based on AI algorithm with statistic reports.
- Face Detection function detects human faces in the monitoring scene and captures the snapshots, which greatly enhances the monitoring efficiency.



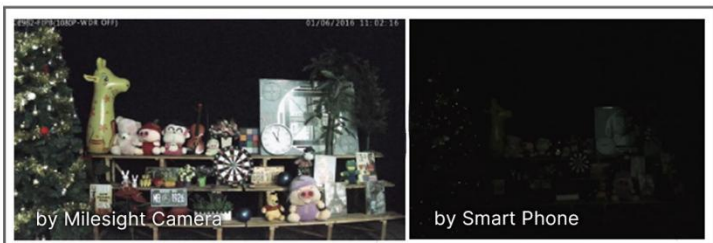
3 in 1 Super WDR Pro - 140dB

Milesight upgraded 3 in 1 Super WDR Pro outputs three frames each line, which is able to bring more details especially moving subjects. What's more, it greatly improves image quality for reducing smear and noisy points. The ratio that the brightest light signal values divided by the darkest light signal values is up to 140dB.



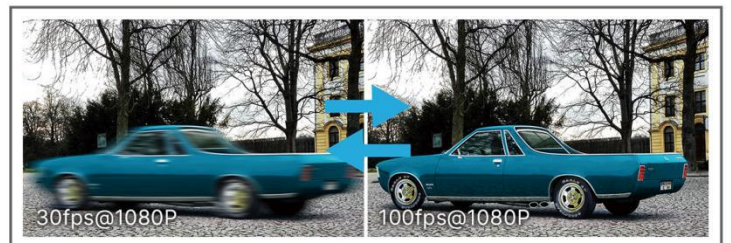
0.001Lux Ultra Low-light

The starlight camera is able to deliver high detailed color images even in low light environment reaching 0.001Lux(Color) or 0Lux(B/W), and near infrared light environments without any supplementary lighting.



100fps

With the industry leading frame rate reaching 100fps, the cameras can easily catch images with no latency despite of the high-speed movement, which is the best choice for the demanding requirements especially for intelligent cameras.



AI 4X/12X Pro Bullet Plus Network Camera



	Model	MS-C2866-X4R(T)PC (2MP)	MS-C2966-X12R(T)PC (2MP)
Camera	Image Sensor	1/2" Progressive Scan CMOS	1/2.8" Progressive Scan CMOS
	Min. Illumination	Color: 0.001Lux@F1.2 Color: 0.002Lux@F1.6 B/W: 0Lux with IR on	Color: 0.002Lux@F1.2 Color: 0.005Lux@F1.6 B/W: 0Lux with IR on
	WDR	140dB Super WDR (Super WDR Pro is optional for T Series)	
	Shutter Time	1/100000s~1s	
	IR Distance	Up to 150m	
	Day/Night Mode	Day/Night/Auto/Customize/Schedule	
	S/N	>55dB	
	Lens	Lens	8~32mm, 4X Optical Zoom
Field of View		H44°~H13°/D51°~D15°/V25°~V7°	H61°~H5°/D69°~D5°/V36°~V2°
Mount		Ø14	
Focus Control		Auto/Manual	
Aperture		F1.6-F1.7	F1.6~F2.8
Iris Control		Auto	
Video	Max. Image Resolution	1920x1080	
	Primary Stream	60Hz: 100fps@(1920x1080)(Optional for T Series) , 60fps@(1920x1080, 1280x960, 1280x720, 704x576) 50Hz: 100fps@(1920x1080)(Optional for T Series) , 50fps@(1920x1080, 1280x960, 1280x720, 704x576)	
	Secondary Stream	60Hz: 60fps@(704x576, 640x480, 640x360, 352x288, 320x240, 320x192, 320x180) 50Hz: 50fps@(704x576, 640x480, 640x360, 352x288, 320x240, 320x192, 320x180)	
	Tertiary Stream	60Hz: 30fps@(1920x1080, 1280x720, 704x576, 640x480, 640x360, 320x240, 320x192, 320x180) 50Hz: 25fps@(1920x1080, 1280x720, 704x576, 640x480, 640x360, 320x240, 320x192, 320x180)	
	Video Compression	H.265+/H.265(HEVC)/H.264+/H.264/MJPEG	
	Video Bit Rate	16Kbps~16Mbps(CBR/VBR Adjustable)	
	Privacy Masking	Up to 24 areas	
	ROI	Up to 8 areas	
	Image Setting	Brightness/Contrast/Saturation/Sharpness	
Interface	Ethernet	1*RJ45 10M/100M Ethernet Port	
	Audio I/O	1/1	
	Alarm I/O	1/1	
Network	Network Storage	NAS(Support NFS, SMB/CIFS), ANR	
	Protocol	IPv4/IPv6, ARP, TCP, UDP, RTCP, RTP, RTSP, RTMP, HTTP, HTTPS, DNS, DDNS, DHCP, FTP, NTP, SMTP, SNMP, UPnP, Bonjour, SIP, PPPoE, VLAN, 802.1x, QoS, IGMP, ICMP, SSL	
Audio	Audio Compression	G.711/AAC/G.722/G.726	
	Audio Sampling Rate	8/16/32/44.1/48KHz	
	Audio Bit Rate	16~256kbps	
	Two-way Audio	Support	

AI 4X/12X Pro Bullet Plus Network Camera



Intelligent Analytics	Video Analysis	Region Entrance, Region Exiting, Advanced Motion Detection, Tamper Detection, Line Crossing, Loitering, Object Left, Object Removed	
	Face detection	Detect and capture faces, get real-time snapshots	
	People Counting& Report	Count the number of people entering or exiting, Up to 4 detection areas for regional people counting	
System	Storage	Support microSD/SDHC/SDXC Card Local Storage, up to 256G	
	Advanced Function	Heat Map, BLC, HLC, 2D DNR, 3D DNR, Defog, AWB, EIS, IP Address Filtering, AGC, Anti-flicker, Corridor Mode, Deblur, Watermark	
	SIP/VoIP Support	Yes, Voice & Video-over-IP	
	Event Trigger	Motion Detection, Network Disconnection, External Input, Audio Alarm, etc.	
	Event Action	FTP Upload, SMTP Upload, SD Card Record, External Output, SIP Phone, HTTP Notification, etc	
	System Compatibility	ONVIF Profile G & Q & S & T, API	
General	Working Temperature	-40°C~60°C	
	Working Humidity	0~90%(Non-condensing)	
	Power Supply	PoE (802.3at) / DC 12V±10%	
	Power Consumption	8W MAX 14W MAX (With IR on)	
	Surge Protection	4KV	
	Weather Proof	Up to IP67-rated for Weather-resistant Performance	
	Housing	Vandal-proof IK10-rated Metal Housing	
	Weight	1445.8g	1447g
	Dimensions	320mmX134mmX126mm	
	Warranty	3/5 Years	

AI 4X/12X Pro Bullet Plus Network Camera



	Model	MS-C5366-X12PC (5MP)	MS-C8266-X4PC (4K)
Camera	Image Sensor	1/2.8" Progressive Scan CMOS	1/1.8" Progressive Scan CMOS
	Min. Illumination	Color: 0.005Lux@F1.2 Color: 0.008Lux@F1.6 B/W: 0Lux with IR on	Color: 0.006Lux@F1.2 Color: 0.009Lux@F1.6 B/W: 0Lux with IR on
	WDR	120dB Super WDR	
	Shutter Time	1/100000s~1s	
	IR Distance	Up to 150m	
	Day/Night Mode	Day/Night/Auto/Customize/Schedule	
	S/N	>55dB	
Lens	Lens	5.3~64mm, 12X Optical Zoom	8~32mm, 4X Optical Zoom
	Field of View	H57°~H4°/D69°~D5°/V44°~V1°	H44°~H13°/D51°~D15°/V25°~V7°
	Mount	Ø14	
	Focus Control	Auto/Manual	
	Aperture	F1.6~F2.8	F1.6-F1.7
	Iris Control	Auto	
Video	Max. Image Resolution	2592x1944	3840x2160
	Primary Stream	60Hz: 30fps@(2592x1944), 45fps@(2048x1536), 60fps@(1920x1080, 1280x960, 1280x720, 704x576) 50Hz: 25fps@(2592x1944), 45fps@(2048x1536), 50fps@(1920x1080, 1280x960, 1280x720, 704x576)	60Hz: 30fps@(3840x2160, 3072x2048, 2592x1944, 2592x1520, 2048x1536, 1920x1080, 1280x960, 1280x720, 704x576) 50Hz: 25fps@(3840x2160, 3072x2048, 2592x1944, 2592x1520, 2048x1536, 1920x1080, 1280x960, 1280x720, 704x576)
	Secondary Stream	60Hz: 30fps@(704x576, 640x480, 640x360, 352x288, 320x240, 320x192, 320x180) 50Hz: 25fps@(704x576, 640x480, 640x360, 352x288, 320x240, 320x192, 320x180)	
	Tertiary Stream	60Hz: 30fps@(1920x1080, 1280x720, 704x576, 640x480, 640x360, 320x240, 320x192, 320x180) 50Hz: 25fps@(1920x1080, 1280x720, 704x576, 640x480, 640x360, 320x240, 320x192, 320x180)	
	Video Compression	H.265+/H.265(HEVC)/H.264+/H.264/MJPEG	
	Video Bit Rate	16Kbps~16Mbps(CBR/VBR Adjustable)	
	Privacy Masking	Up to 24 areas	
	ROI	Up to 8 areas	
	Image Setting	Brightness/Contrast/Saturation/Sharpness	
Interface	Ethernet	1*RJ45 10M/100M Ethernet Port	
	Audio I/O	1/1	
	Alarm I/O	1/1	
Network	Network Storage	NAS(Support NFS, SMB/CIFS), ANR	
	Protocol	IPv4/IPv6, ARP, TCP, UDP, RTCP, RTP, RTSP, RTMP, HTTP, HTTPS, DNS, DDNS, DHCP, FTP, NTP, SMTP, SNMP, UPnP, Bonjour, SIP, PPPoE, VLAN, 802.1x, QoS, IGMP, ICMP, SSL	
Audio	Audio Compression	G.711/AAC/G.722/G.726	
	Audio Sampling Rate	8/16/32/44.1/48KHz	
	Audio Bit Rate	16~256kbps	
	Two-way Audio	Support	

AI 4X/12X Pro Bullet Plus Network Camera



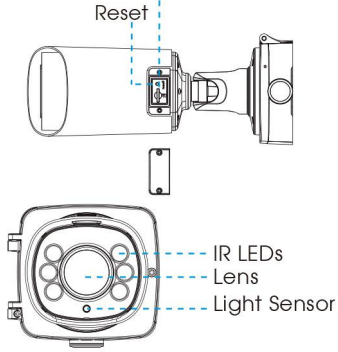
Intelligent Analytics	Video Analysis	Region Entrance, Region Exiting, Advanced Motion Detection, Tamper Detection, Line Crossing, Loitering, Object Left, Object Removed	
	Face detection	Detect and capture faces, get real-time snapshots	
	People Counting& Report	Count the number of people entering or exiting, Up to 4 detection areas for regional people counting	
System	Storage	Support microSD/SDHC/SDXC Card Local Storage, up to 256G	
	Advanced Function	Heat Map, BLC, HLC, 2D DNR, 3D DNR, Defog, AWB, EIS, IP Address Filtering, AGC, Anti-flicker, Corridor Mode, Deblur, Watermark	
	SIP/VoIP Support	Yes, Voice & Video-over-IP	
	Event Trigger	Motion Detection, Network Disconnection, External Input, Audio Alarm, etc.	
	Event Action	FTP Upload, SMTP Upload, SD Card Record, External Output, SIP Phone, HTTP Notification, etc	
	System Compatibility	ONVIF Profile G & Q & S & T, API	
General	Working Temperature	-40°C~60°C	
	Working Humidity	0~90%(Non-condensing)	
	Power Supply	PoE (802.3at) / DC 12V±10%	
	Power Consumption	8W MAX 13W MAX (With IR on)	8W MAX 14W MAX (With IR on)
	Surge Protection	4KV	
	Weather Proof	Up to IP67-rated for Weather-resistant Performance	
	Housing	Vandal-proof IK10-rated Metal Housing	
	Weight	1447g	1445.8g
	Dimensions	320mmX134mmX126mm	
	Warranty	3/5 Years	

AI 4X/12X Pro Bullet Plus Network Camera

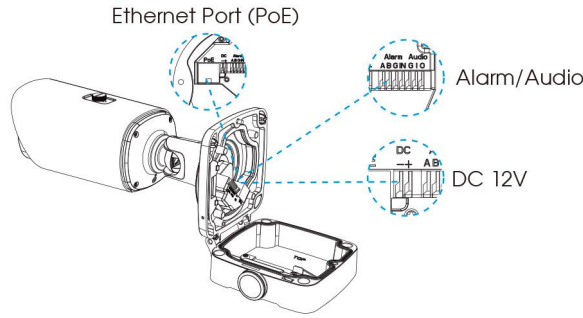


Structure Diagrams

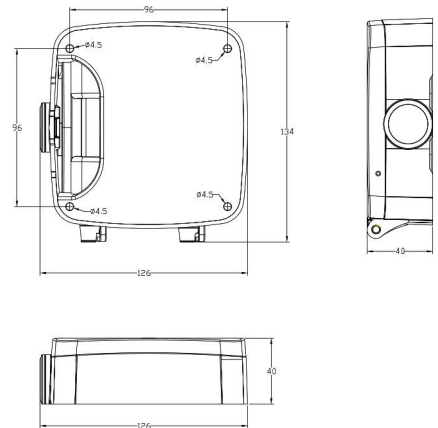
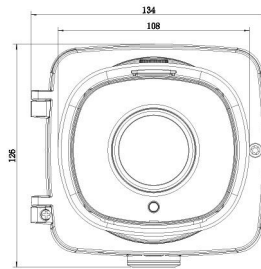
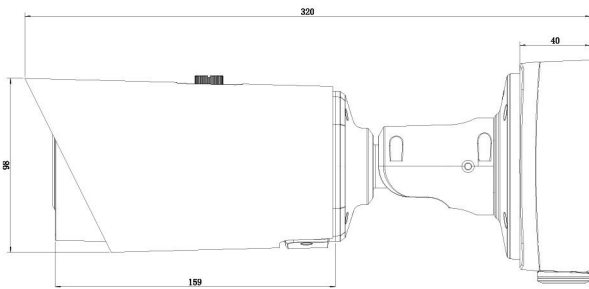
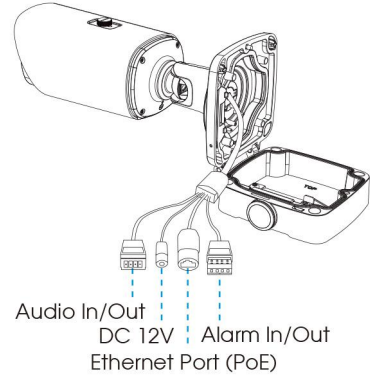
microSD/SDHC/SDXC Card Slot



Version A



Version B



Units: mm

Accessories Support

A01 Pole Mount

Weight: 720g
Dimensions: 170*51.5*152.6mm



A03 External Corner Bracket

Weight: 900g
Dimensions: 170*152.5*76.3mm



A62 Junction Box

Weight: 510g
Dimensions: 134*126*40mm



Milesight Technology Co., Ltd. | www.milesight.com

Contact Us: sales@milesight.com support@milesight.com

Add: 220 NE 51st Street, Oakland Park, Florida 33334, USA
Tel: +1-800-561-0485

Add: 925, Anyang SK V1 Center, LS-ro 116beon-gil, Dongan-gu, Anyang-si, Korea
Tel: +82-31-990-7732

Add: No.23 Wanghai Road, 2nd Software Park, Xiamen, China
Tel: +86-592-5922772

